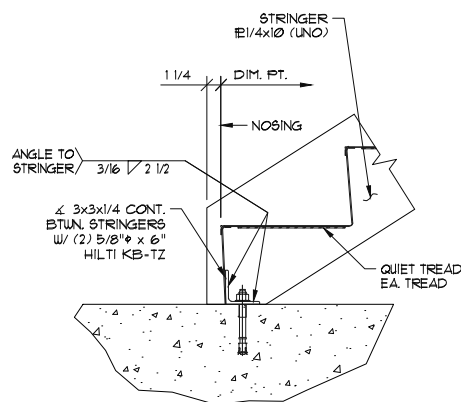


PACIFIC STAIR CORPORATION
8690 Stair Way NE Salem, OR 97305
www.pacificstair.com 1 503.390.8305

TREAD / RISER CONSTRUCTION

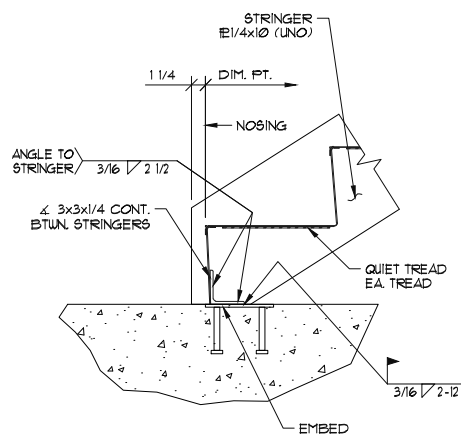
QUIET TREAD
S301



PACIFIC STAIR CORPORATION
8690 Stair Way NE Salem, OR 97305
www.pacificstair.com 1 503.390.8305

CONNECTION TO CONCRETE SLAB WITH ANCHOR
1. SEE S301 FOR TREAD / RISER CONSTRUCTION

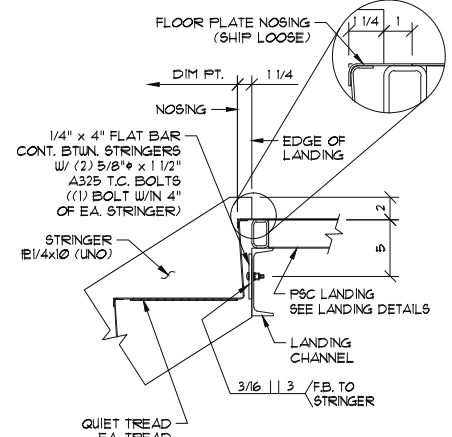
QUIET TREAD
S312



PACIFIC STAIR CORPORATION
8690 Stair Way NE Salem, OR 97305
www.pacificstair.com 1 503.390.8305

CONNECTION TO CONCRETE SLAB WITH EMBED
1. SEE S301 FOR TREAD / RISER CONSTRUCTION

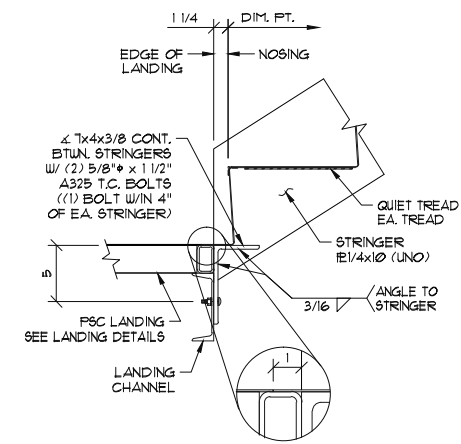
QUIET TREAD
S313



PACIFIC STAIR CORPORATION
8690 Stair Way NE Salem, OR 97305
www.pacificstair.com 1 503.390.8305

STANDARD TOP CONNECTION TO STEEL LANDING
1. SEE S301 FOR TREAD / RISER CONSTRUCTION
2. SEE L300 FOR LANDING CONSTRUCTION

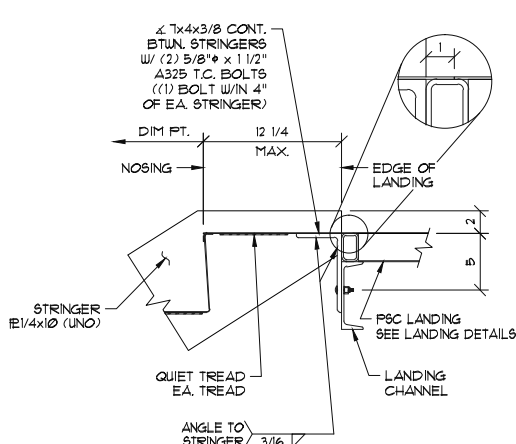
QUIET TREAD
S320



PACIFIC STAIR CORPORATION
8690 Stair Way NE Salem, OR 97305
www.pacificstair.com 1 503.390.8305

STANDARD BOTTOM CONNECTION TO STEEL LANDING
1. SEE S301 FOR TREAD / RISER CONSTRUCTION
2. SEE L300 FOR LANDING CONSTRUCTION

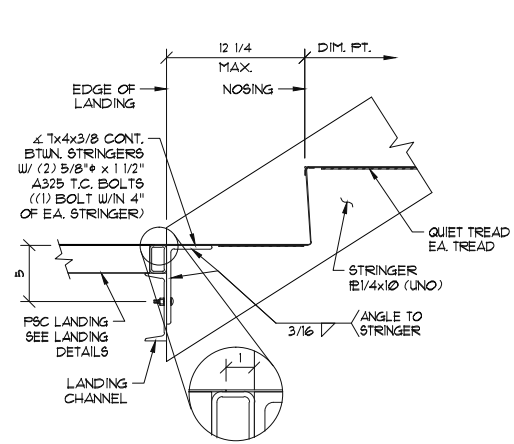
QUIET TREAD
S321



PACIFIC STAIR CORPORATION
8690 Stair Way NE Salem, OR 97305
www.pacificstair.com 1 503.390.8305

EXTENDED TOP CONNECTION TO STEEL LANDING
1. SEE S301 FOR TREAD / RISER CONSTRUCTION
2. SEE L300 FOR LANDING CONSTRUCTION

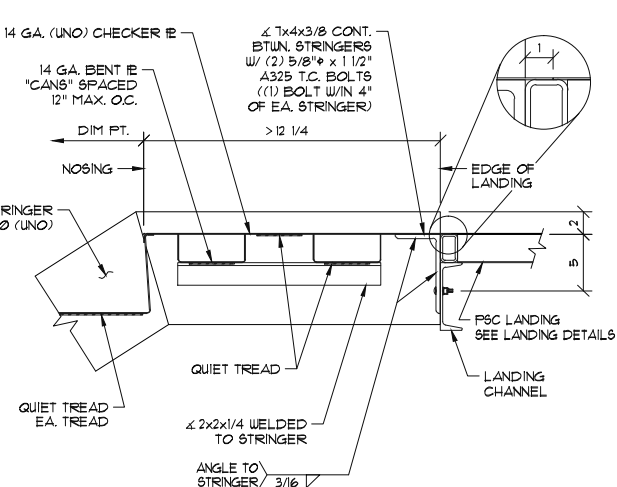
QUIET TREAD
S322



PACIFIC STAIR CORPORATION
8690 Stair Way NE Salem, OR 97305
www.pacificstair.com 1 503.390.8305

EXTENDED BOTTOM CONNECTION TO STEEL LANDING
1. SEE S301 FOR TREAD / RISER CONSTRUCTION
2. SEE L300 FOR LANDING CONSTRUCTION

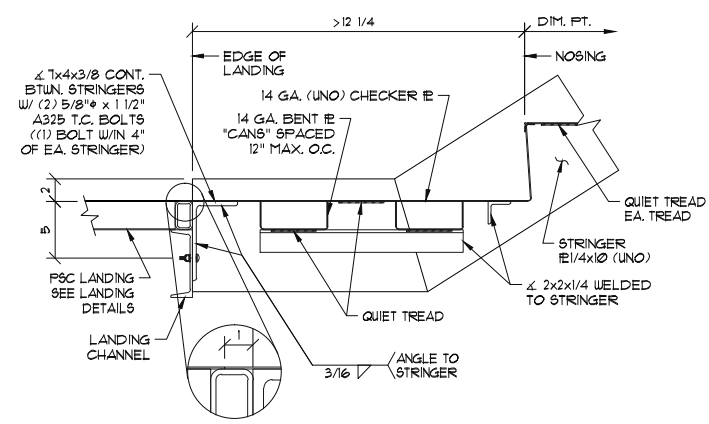
QUIET TREAD
S323



PACIFIC STAIR CORPORATION
8690 Stair Way NE Salem, OR 97305
www.pacificstair.com 1 503.390.8305

HAUNCH TOP CONNECTION TO STEEL LANDING
1. SEE S301 FOR TREAD / RISER CONSTRUCTION
2. SEE L300 FOR LANDING CONSTRUCTION

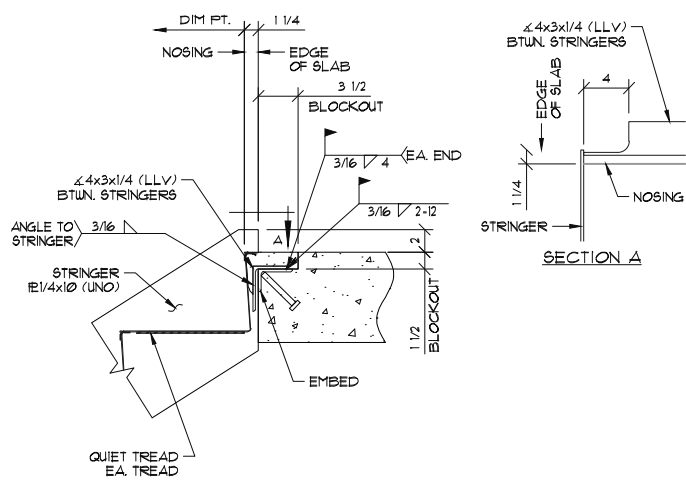
QUIET TREAD
S324



PACIFIC STAIR CORPORATION
8690 Stair Way NE Salem, OR 97305
www.pacificstair.com 1 503.390.8305

HAUNCH BOTTOM CONNECTION TO STEEL LANDING
1. SEE S301 FOR TREAD / RISER CONSTRUCTION
2. SEE L300 FOR LANDING CONSTRUCTION

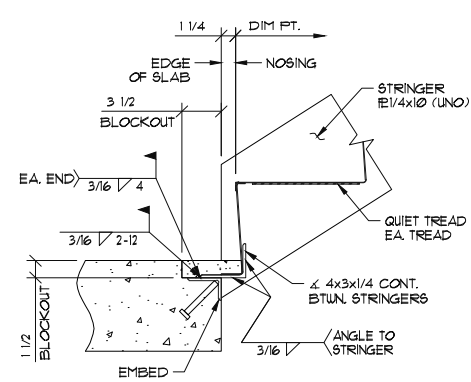
QUIET TREAD
S325



PACIFIC STAIR CORPORATION
8690 Stair Way NE Salem, OR 97305
www.pacificstair.com 1 503.390.8305

STANDARD TOP CONNECTION TO EMBED
1. SEE S301 FOR TREAD / RISER CONSTRUCTION

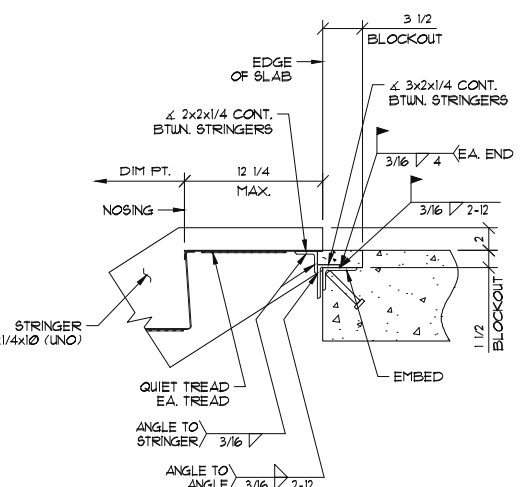
QUIET TREAD
S330



PACIFIC STAIR CORPORATION
8690 Stair Way NE Salem, OR 97305
www.pacificstair.com 1 503.390.8305

STANDARD BOTTOM CONNECTION TO EMBED
1. SEE S301 FOR TREAD / RISER CONSTRUCTION

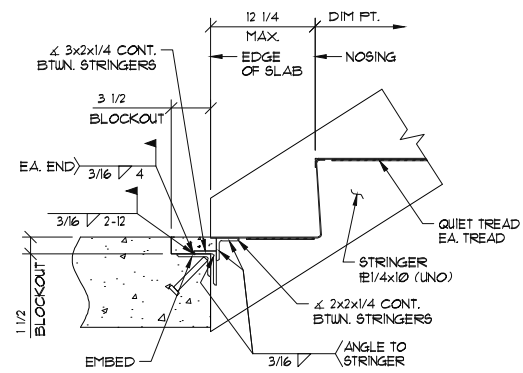
QUIET TREAD
S331



PACIFIC STAIR CORPORATION
8690 Stair Way NE Salem, OR 97305
www.pacificstair.com 1 503.390.8305

EXTENDED TOP CONNECTION TO EMBED
1. SEE S301 FOR TREAD / RISER CONSTRUCTION

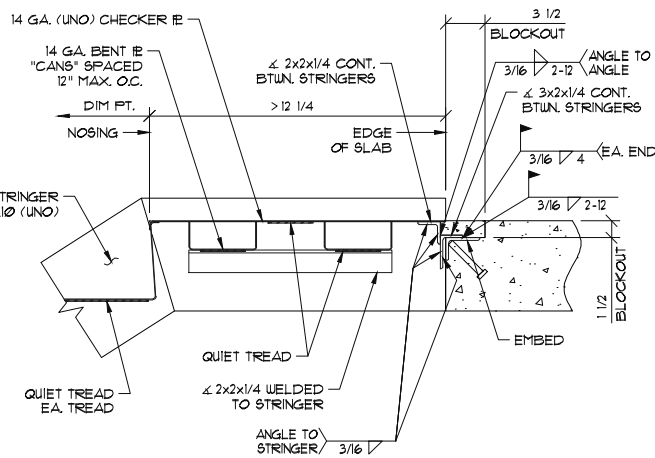
QUIET TREAD
S332



PACIFIC STAIR CORPORATION
 8690 Star Way NE Salem, OR 97305
 www.pacificstair.com 1.503.390.8305

EXTENDED BOTTOM CONNECTION TO EMBED
 I. SEE 8301 FOR TREAD / RISER CONSTRUCTION

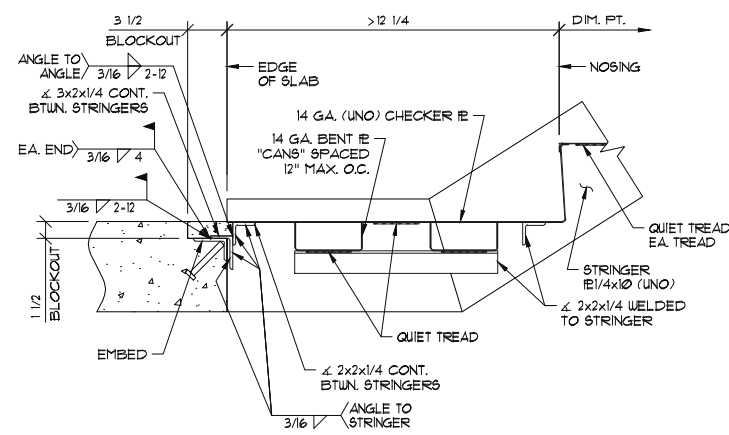
QUIET TREAD
S333



PACIFIC STAIR CORPORATION
 8690 Star Way NE Salem, OR 97305
 www.pacificstair.com 1.503.390.8305

HAUNCH TOP CONNECTION TO EMBED
 I. SEE 8301 FOR TREAD / RISER CONSTRUCTION

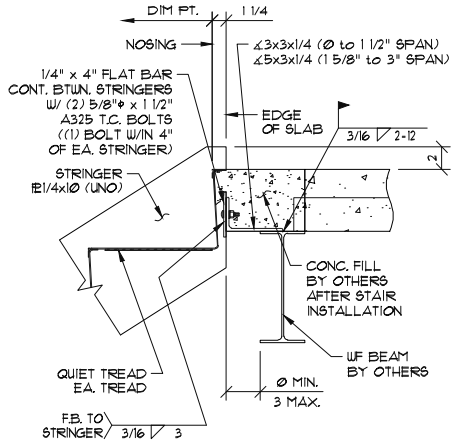
QUIET TREAD
S334



PACIFIC STAIR CORPORATION
 8690 Star Way NE Salem, OR 97305
 www.pacificstair.com 1.503.390.8305

HAUNCH BOTTOM CONNECTION TO EMBED
 I. SEE 8301 FOR TREAD / RISER CONSTRUCTION

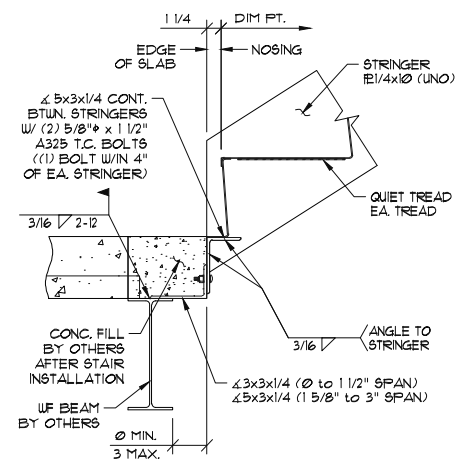
QUIET TREAD
S335



PACIFIC STAIR CORPORATION
 8690 Star Way NE Salem, OR 97305
 www.pacificstair.com 1.503.390.8305

STANDARD TOP CONNECTION TO STRUCTURAL STEEL
 I. SEE 8301 FOR TREAD / RISER CONSTRUCTION

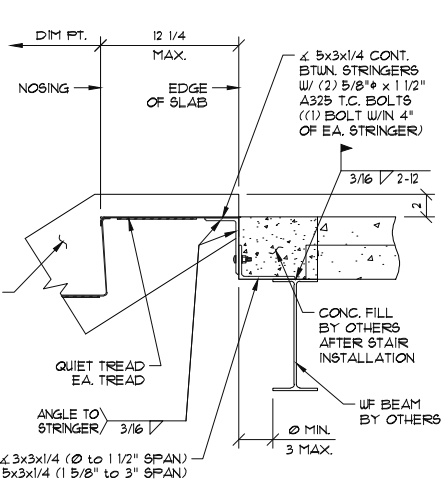
QUIET TREAD
S340



PACIFIC STAIR CORPORATION
 8690 Star Way NE Salem, OR 97305
 www.pacificstair.com 1.503.390.8305

STANDARD BOTTOM CONNECTION TO STRUCTURAL STEEL
 I. SEE 8301 FOR TREAD / RISER CONSTRUCTION

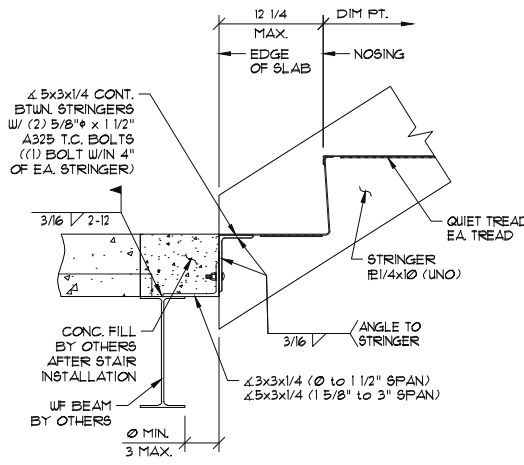
QUIET TREAD
S341



PACIFIC STAIR CORPORATION
 8690 Star Way NE Salem, OR 97305
 www.pacificstair.com 1.503.390.8305

EXTENDED TOP CONNECTION TO STRUCTURAL STEEL
 I. SEE 8301 FOR TREAD / RISER CONSTRUCTION

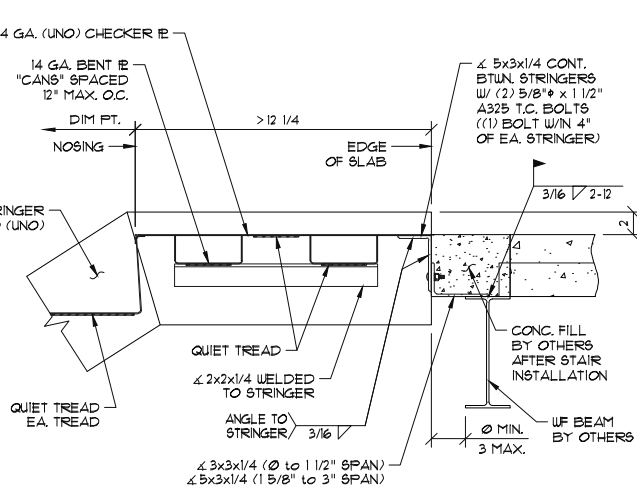
QUIET TREAD
S342



PACIFIC STAIR CORPORATION
 8690 Star Way NE Salem, OR 97305
 www.pacificstair.com 1.503.390.8305

EXTENDED BOTTOM CONNECTION TO STRUCTURAL STEEL
 I. SEE 8301 FOR TREAD / RISER CONSTRUCTION

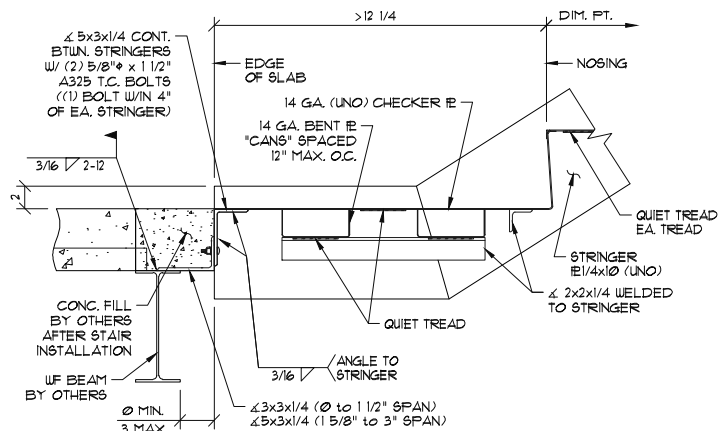
QUIET TREAD
S343



PACIFIC STAIR CORPORATION
 8690 Star Way NE Salem, OR 97305
 www.pacificstair.com 1.503.390.8305

HAUNCH TOP CONNECTION TO STRUCTURAL STEEL
 I. SEE 8301 FOR TREAD / RISER CONSTRUCTION

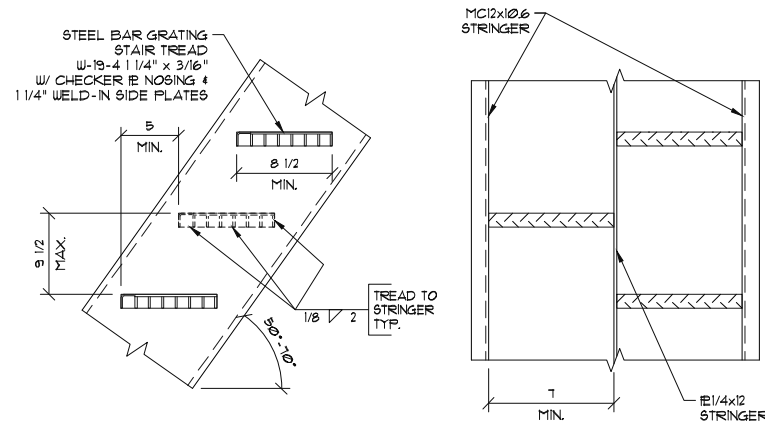
QUIET TREAD
S344



PACIFIC STAIR CORPORATION
 8690 Star Way NE Salem, OR 97305
 www.pacificstair.com 1.503.390.8305

HAUNCH BOTTOM CONNECTION TO STRUCTURAL STEEL
 I. SEE 8301 FOR TREAD / RISER CONSTRUCTION

QUIET TREAD
S345



PACIFIC STAIR CORPORATION
 8690 Star Way NE Salem, OR 97305
 www.pacificstair.com 1.503.390.8305

ALTERNATING TREAD STAIR / SHIP LADDER
 I. NOTE NO CENTER STRINGER AT 6M, AND TREADS TO BE CONTINUOUS BETWEEN OUTSIDE STRINGER.

MISC.
S001