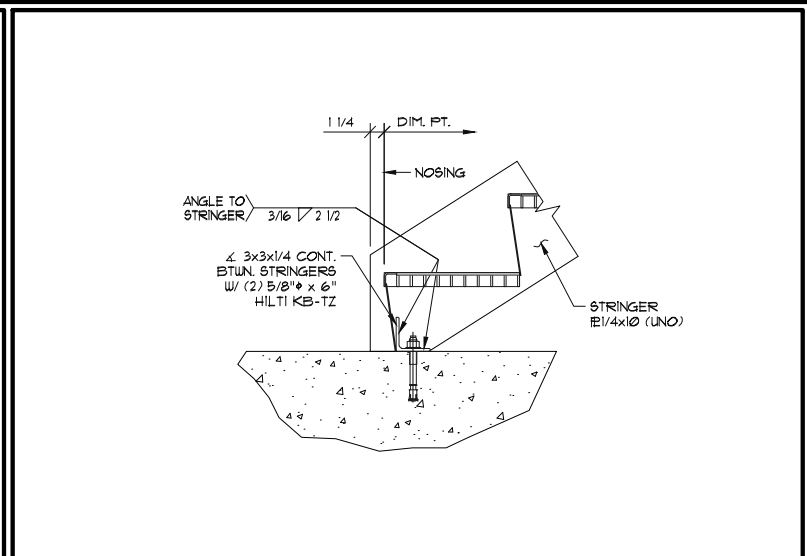


PACIFIC STAIR CORPORATION
 8690 Stair Way NE Salem, OR 97305
 www.pacificstair.com | 503.390.8305

TREAD / RISER CONSTRUCTION

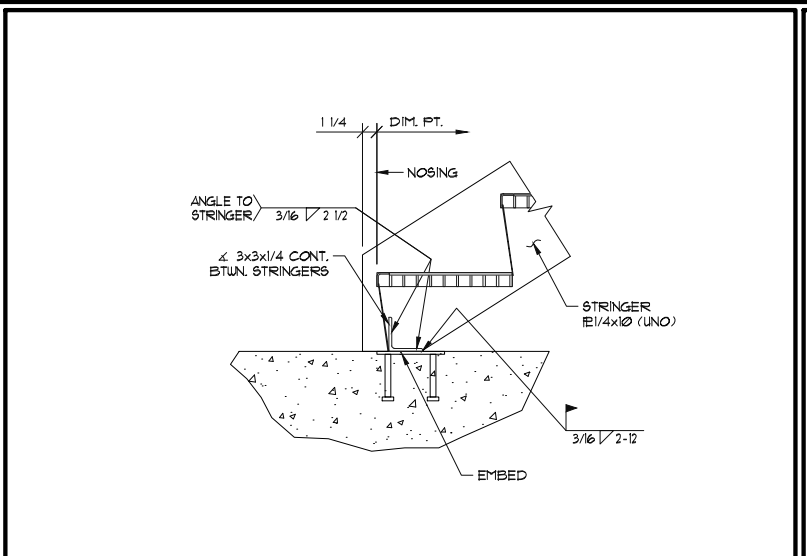
GRATING
S601



PACIFIC STAIR CORPORATION
 8690 Stair Way NE Salem, OR 97305
 www.pacificstair.com | 503.390.8305

CONNECTION TO CONCRETE SLAB WITH ANCHOR
 1. SEE S601 FOR TREAD / RISER CONSTRUCTION

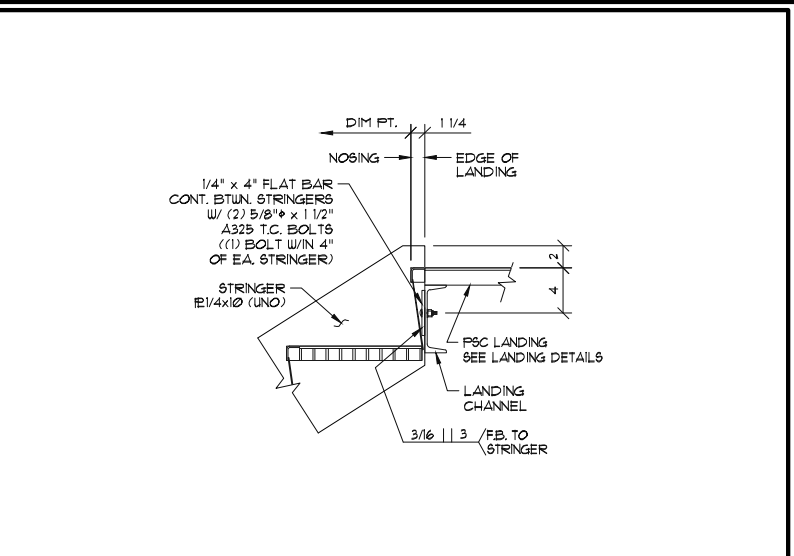
GRATING
S612



PACIFIC STAIR CORPORATION
 8690 Stair Way NE Salem, OR 97305
 www.pacificstair.com | 503.390.8305

CONNECTION TO CONCRETE SLAB WITH EMBED
 1. SEE S601 FOR TREAD / RISER CONSTRUCTION

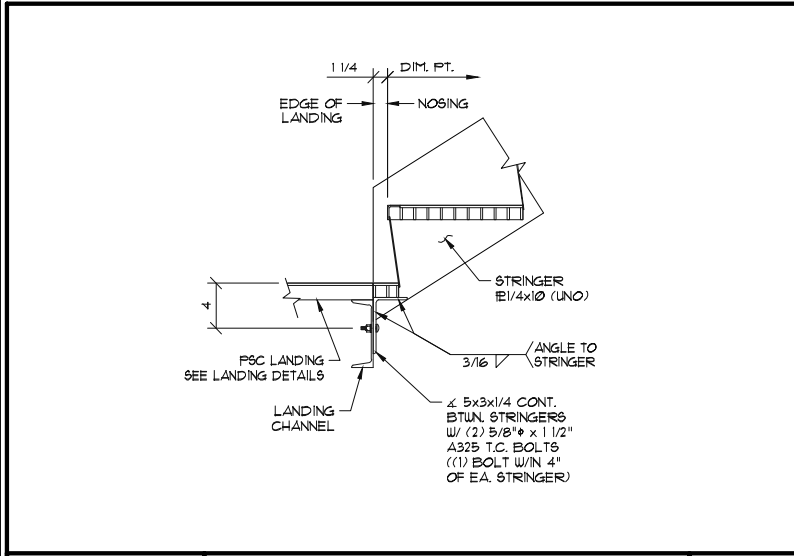
GRATING
S613



PACIFIC STAIR CORPORATION
 8690 Stair Way NE Salem, OR 97305
 www.pacificstair.com | 503.390.8305

STANDARD TOP CONNECTION TO STEEL LANDING
 1. SEE S601 FOR TREAD / RISER CONSTRUCTION
 2. SEE L600 FOR LANDING CONSTRUCTION

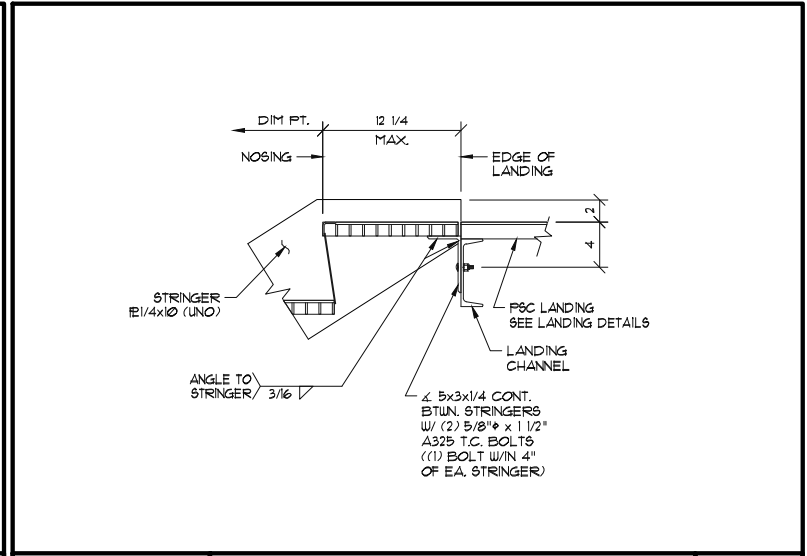
GRATING
S620



PACIFIC STAIR CORPORATION
 8690 Stair Way NE Salem, OR 97305
 www.pacificstair.com | 503.390.8305

STANDARD BOTTOM CONNECTION TO STEEL LANDING
 1. SEE S601 FOR TREAD / RISER CONSTRUCTION
 2. SEE L600 FOR LANDING CONSTRUCTION

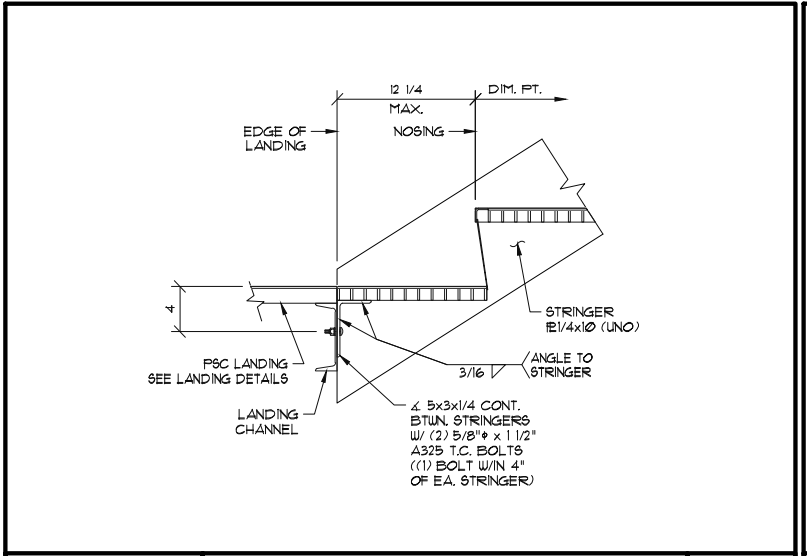
GRATING
S621



PACIFIC STAIR CORPORATION
 8690 Stair Way NE Salem, OR 97305
 www.pacificstair.com | 503.390.8305

EXTENDED TOP CONNECTION TO STEEL LANDING
 1. SEE S601 FOR TREAD / RISER CONSTRUCTION
 2. SEE L600 FOR LANDING CONSTRUCTION

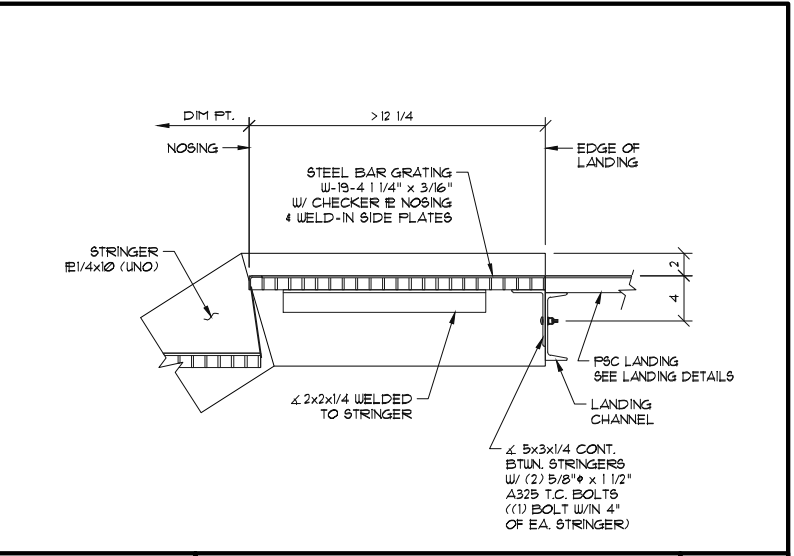
GRATING
S622



PACIFIC STAIR CORPORATION
 8690 Stair Way NE Salem, OR 97305
 www.pacificstair.com | 503.390.8305

EXTENDED BOTTOM CONNECTION TO STEEL LANDING
 1. SEE S601 FOR TREAD / RISER CONSTRUCTION
 2. SEE L600 FOR LANDING CONSTRUCTION

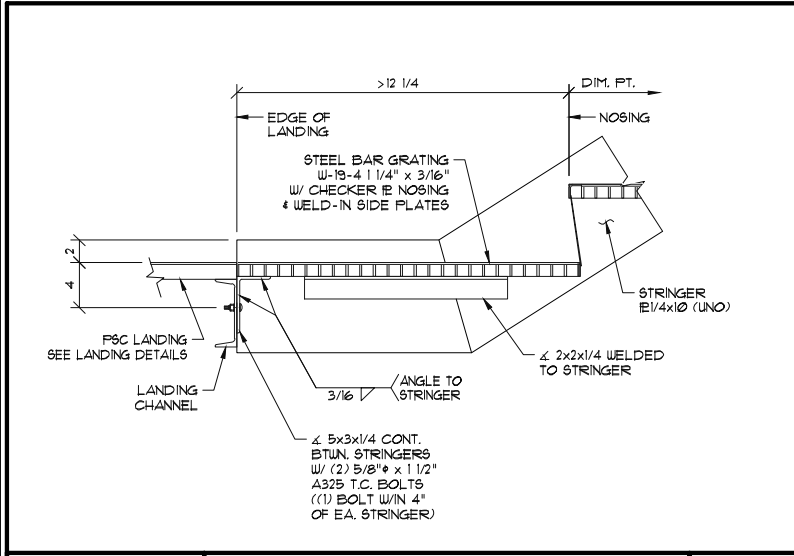
GRATING
S623



PACIFIC STAIR CORPORATION
 8690 Stair Way NE Salem, OR 97305
 www.pacificstair.com | 503.390.8305

HAUNCH TOP CONNECTION TO STEEL LANDING
 1. SEE S601 FOR TREAD / RISER CONSTRUCTION
 2. SEE L600 FOR LANDING CONSTRUCTION

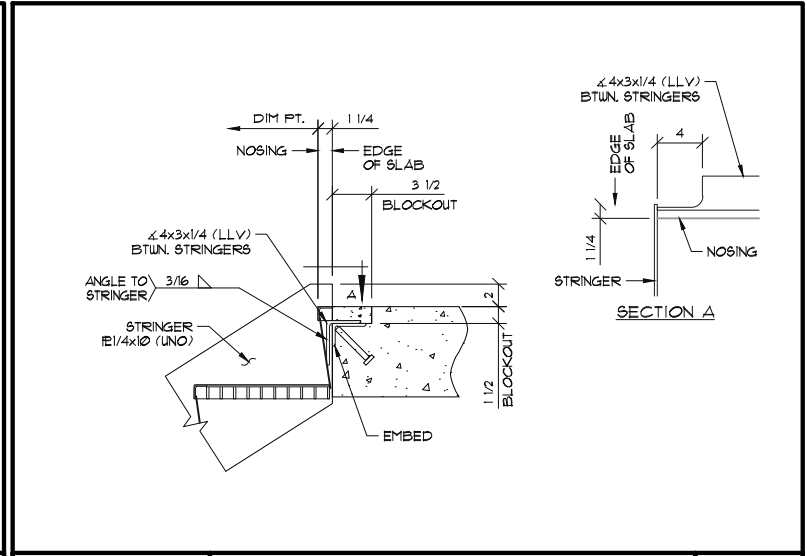
GRATING
S624



PACIFIC STAIR CORPORATION
 8690 Stair Way NE Salem, OR 97305
 www.pacificstair.com | 503.390.8305

HAUNCH BOTTOM CONNECTION TO STEEL LANDING
 1. SEE S601 FOR TREAD / RISER CONSTRUCTION
 2. SEE L600 FOR LANDING CONSTRUCTION

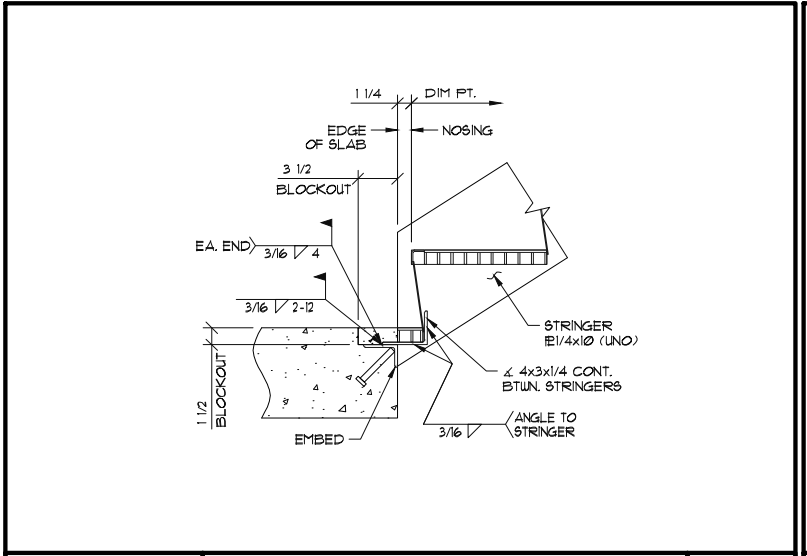
GRATING
S625



PACIFIC STAIR CORPORATION
 8690 Stair Way NE Salem, OR 97305
 www.pacificstair.com | 503.390.8305

STANDARD TOP CONNECTION TO EMBED
 1. SEE S601 FOR TREAD / RISER CONSTRUCTION

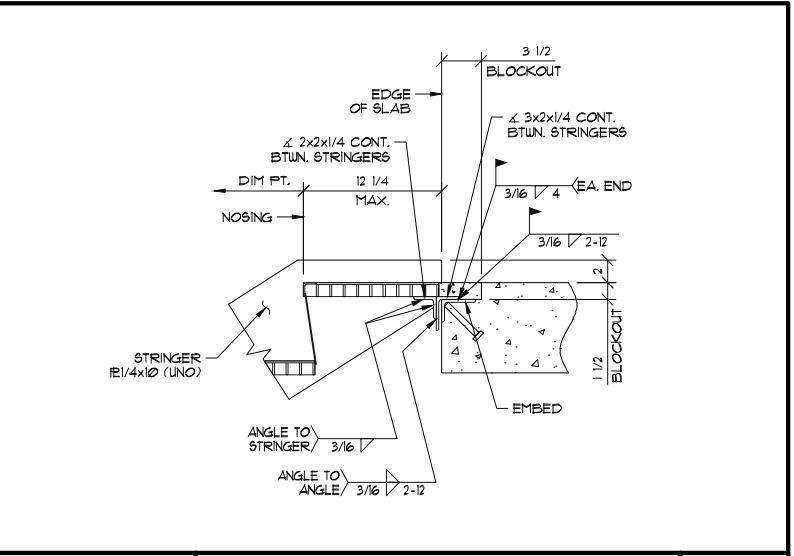
GRATING
S630



PACIFIC STAIR CORPORATION
 8690 Stair Way NE Salem, OR 97305
 www.pacificstair.com | 503.390.8305

STANDARD BOTTOM CONNECTION TO EMBED
 1. SEE S601 FOR TREAD / RISER CONSTRUCTION

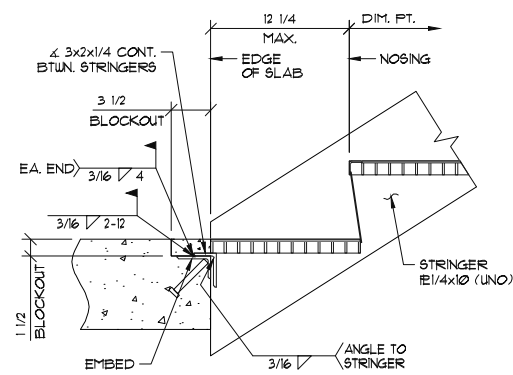
GRATING
S631



PACIFIC STAIR CORPORATION
 8690 Stair Way NE Salem, OR 97305
 www.pacificstair.com | 503.390.8305

EXTENDED TOP CONNECTION TO EMBED
 1. SEE S601 FOR TREAD / RISER CONSTRUCTION

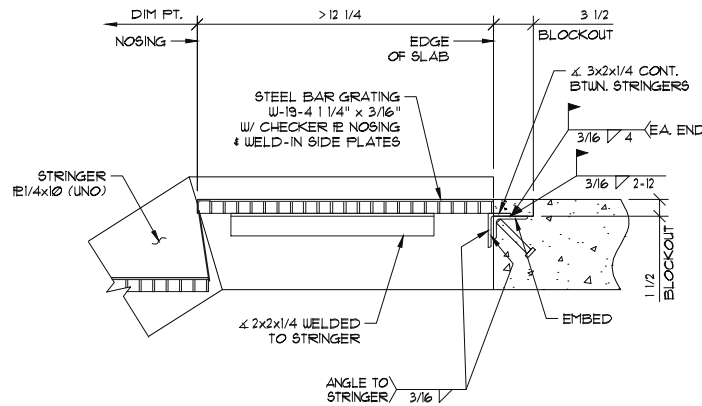
GRATING
S632



PACIFIC STAIR CORPORATION
 8690 Stair Way NE Salem, OR 97305
 www.pacificstair.com 1 503.390.8305

EXTENDED BOTTOM CONNECTION TO EMBED
 I. SEE S601 FOR TREAD / RISER CONSTRUCTION

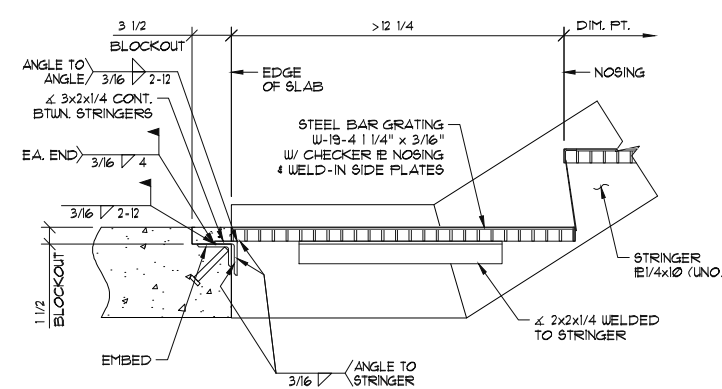
GRATING
S633



PACIFIC STAIR CORPORATION
 8690 Stair Way NE Salem, OR 97305
 www.pacificstair.com 1 503.390.8305

HAUNCH TOP CONNECTION TO EMBED
 I. SEE S601 FOR TREAD / RISER CONSTRUCTION

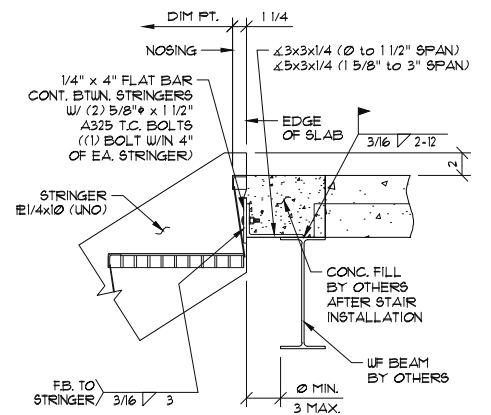
GRATING
S634



PACIFIC STAIR CORPORATION
 8690 Stair Way NE Salem, OR 97305
 www.pacificstair.com 1 503.390.8305

HAUNCH BOTTOM CONNECTION TO EMBED
 I. SEE S601 FOR TREAD / RISER CONSTRUCTION

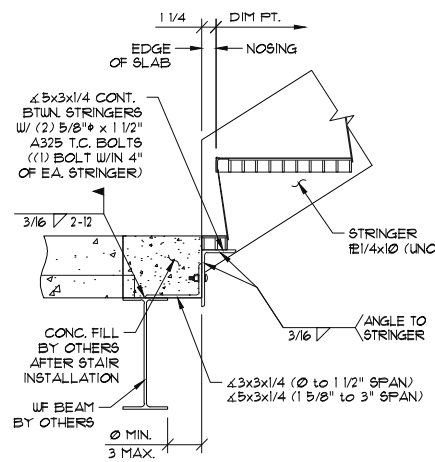
GRATING
S635



PACIFIC STAIR CORPORATION
 8690 Stair Way NE Salem, OR 97305
 www.pacificstair.com 1 503.390.8305

STANDARD TOP CONNECTION TO STRUCTURAL STEEL
 I. SEE S601 FOR TREAD / RISER CONSTRUCTION

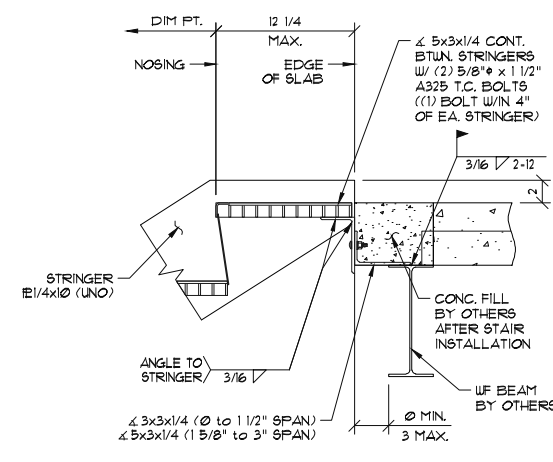
GRATING
S640



PACIFIC STAIR CORPORATION
 8690 Stair Way NE Salem, OR 97305
 www.pacificstair.com 1 503.390.8305

STANDARD BOTTOM CONNECTION TO STRUCTURAL STEEL
 I. SEE S601 FOR TREAD / RISER CONSTRUCTION

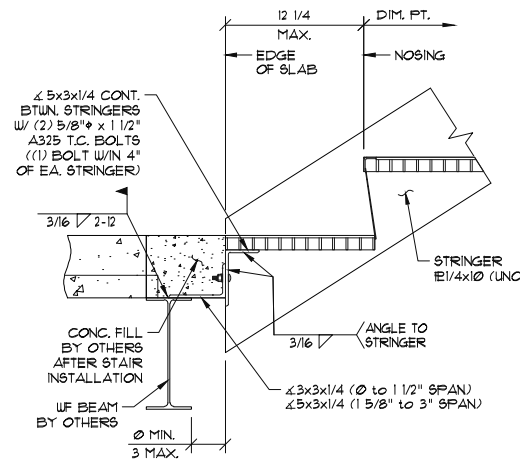
GRATING
S641



PACIFIC STAIR CORPORATION
 8690 Stair Way NE Salem, OR 97305
 www.pacificstair.com 1 503.390.8305

EXTENDED TOP CONNECTION TO STRUCTURAL STEEL
 I. SEE S601 FOR TREAD / RISER CONSTRUCTION

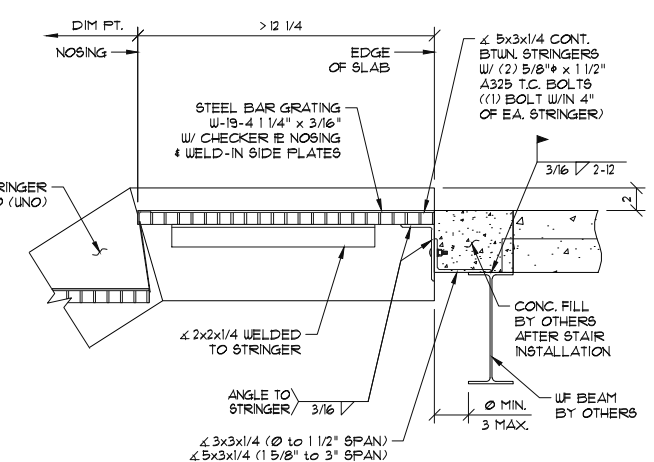
GRATING
S642



PACIFIC STAIR CORPORATION
 8690 Stair Way NE Salem, OR 97305
 www.pacificstair.com 1 503.390.8305

EXTENDED BOTTOM CONNECTION TO STRUCTURAL STEEL
 I. SEE S601 FOR TREAD / RISER CONSTRUCTION

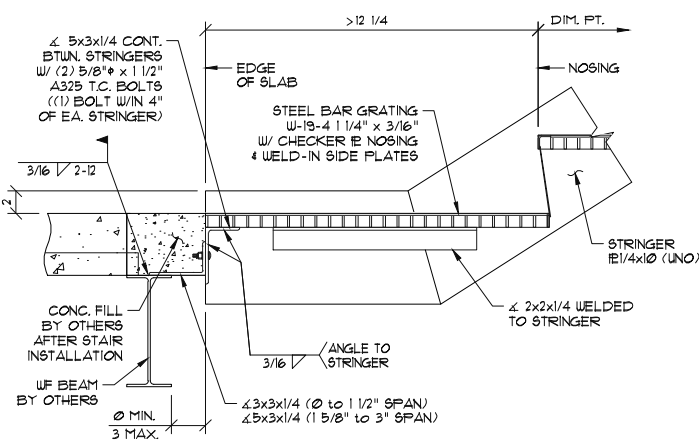
GRATING
S643



PACIFIC STAIR CORPORATION
 8690 Stair Way NE Salem, OR 97305
 www.pacificstair.com 1 503.390.8305

HAUNCH TOP CONNECTION TO STRUCTURAL STEEL
 I. SEE S601 FOR TREAD / RISER CONSTRUCTION

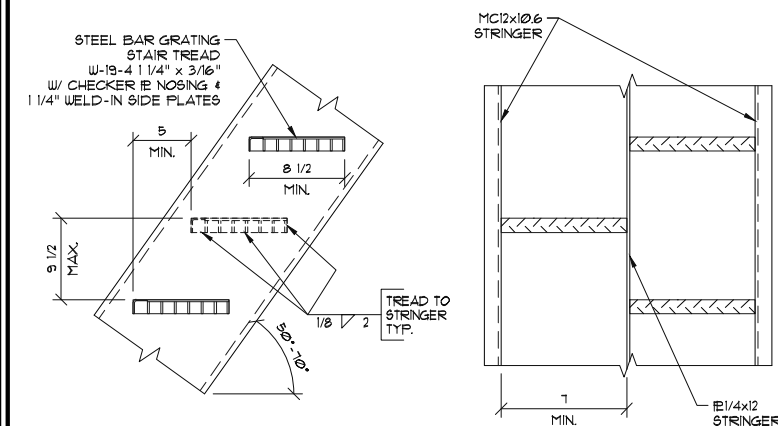
GRATING
S644



PACIFIC STAIR CORPORATION
 8690 Stair Way NE Salem, OR 97305
 www.pacificstair.com 1 503.390.8305

HAUNCH BOTTOM CONNECTION TO STRUCTURAL STEEL
 I. SEE S601 FOR TREAD / RISER CONSTRUCTION

GRATING
S645



PACIFIC STAIR CORPORATION
 8690 Stair Way NE Salem, OR 97305
 www.pacificstair.com 1 503.390.8305

ALTERNATING TREAD STAIR / SHIP LADDER
 I. NOTE NO CENTER STRINGER AT 6M. AND TREADS TO BE CONTINUOUS BETWEEN OUTSIDE STRINGER.

MISC.
S001